

USER MANUAL

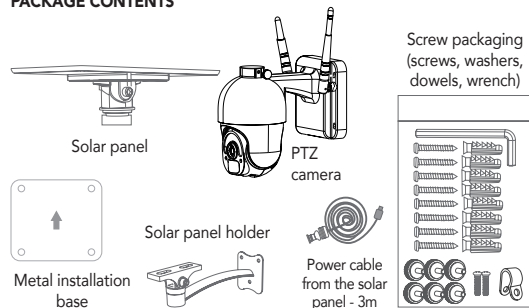
Manufacturer and importer:
IMMAX, Pohofí 703, 742 85 Vřesina, EU | www.immax.cz
Made in P.R.C.



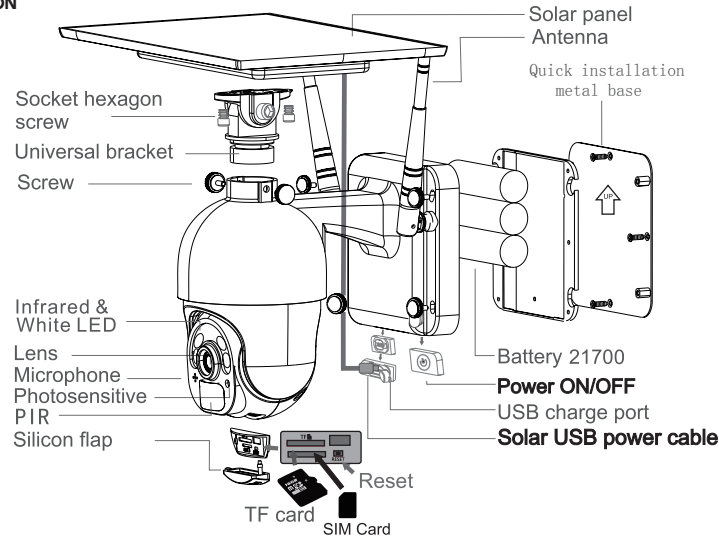
TECHNICAL SPECIFICATIONS:

Internet connection: 4G (TD-LTE, TD-LTE / LTE FDD TD-LTE / LTE-FDD) - nano SIM card
 Built-in motion sensor: PIR + radar motion detection technology
 Sensor: 1/2.7"
 Resolution: FULL HD 1920 x 1080 px
 Lens: 3.6mm
 Maximum PIR scanning distance: 0-12m
 Viewing angle: 95°
 Response time: 1s
 Battery capacity: 14400mAh (3x batteries 21700)
 Solar panel power: 6W
 Maximum charging current: 1000 mA
 Night mode: YES (automatic mode switching after dark)
 Memory: microSD memory card, max 128GB (not included, FAT32)

PACKAGE CONTENTS



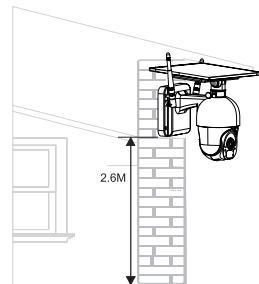
PRODUCT DESCRIPTION



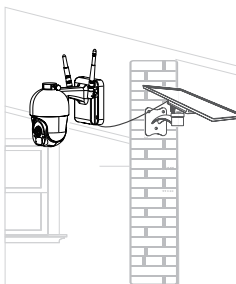
INSTALLATION

Recommended installing the camera about 2.6m

Integrated installation



Separate installation



IMMAX NEO PRO APPLICATION AND DEVICE PAIRING

1. Scan the QR code and download the Immax NEO PRO application. Or find and install the Immax NEO PRO app in the Apple Store or Google Play. Launch the Immax NEO PRO application and click on "Register" and create your own account via e-mail.

When you have finished registration, log in using your account.



- In the Immax NEO PRO application, click the Room tab and then the "+" button to add a device. In the Immax NEO tab, select the product.
- Click on the icon as shown in the image and scan the QR code from the camera body. The product will then be paired and added to the Immax NEO PRO app.



SAFETY INFORMATION

CAUTION: Keep out of reach of children. This product contains small parts, which may cause suffocation or injury if swallowed.
WARNING: Every battery has the potential to leak harmful chemicals that can damage skin, clothing or area where the battery is stored. To avoid the risk of injury, do not allow any substance from the battery to come into contact with the eyes or skin. Every battery may burst or even explode if exposed to fire or other forms of excessive heat. Take care when handling the batteries. To reduce the risk of injury from mishandling the batteries, take the following precautions:
 - Do not use different brands and types of batteries in the same device
 - When replacing the batteries, always replace all the batteries in the device
 - Do not use rechargeable or reusable batteries.
 - Do not allow children to insert batteries without supervision.
 - Follow the battery manufacturer's instructions for proper battery handling and disposal.
CAUTION: The product and batteries should be disposed of at a recycling centre. Do not dispose of them with normal household waste.
CAUTION: To ensure safe use of the product, wires must be brought at the installation site according to valid regulations. The installation must only be carried out by an individual with the appropriate certification in the field of electronics. During installation or when a fault is detected, the power cable must always be disconnected from the socket (in the case of direct connection, the relevant circuit breaker must be switched off). Improper installation can damage the product and cause injury.
CAUTION: Do not disassemble the product, electric shock may occur.
CAUTION: Use only the original power adapter provided with the product. Do not operate the device if the power cord shows signs of damage. **CAUTION:** Follow the instructions in the enclosed manual.

MAINTENANCE

Protect the device from contamination and soiling. Wipe the device with a soft cloth, do not use rough or coarse materials.
DO NOT USE solvents or other aggressive cleaners or chemicals.

A Declaration of Conformity has been issued for this product. More information can be found at www.immax.cz